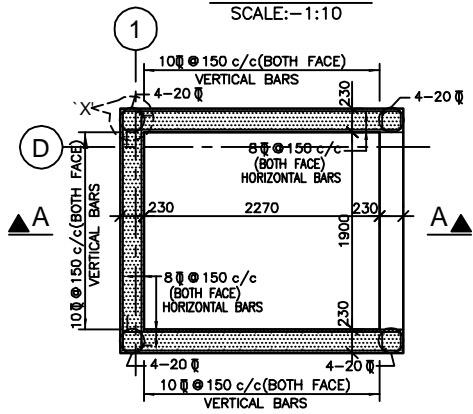
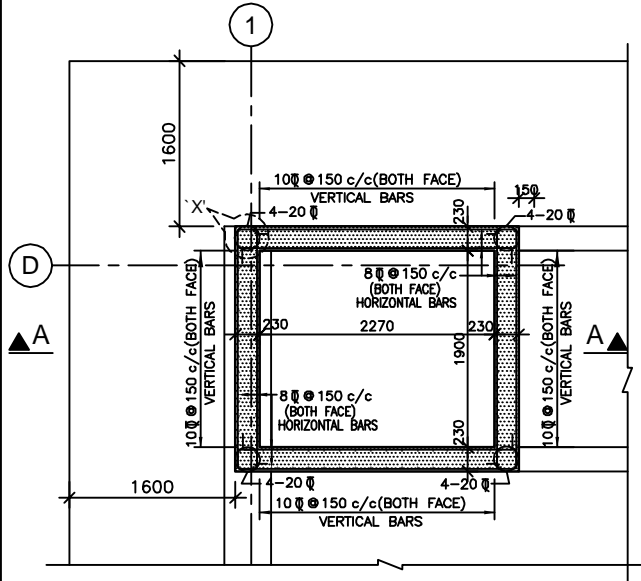


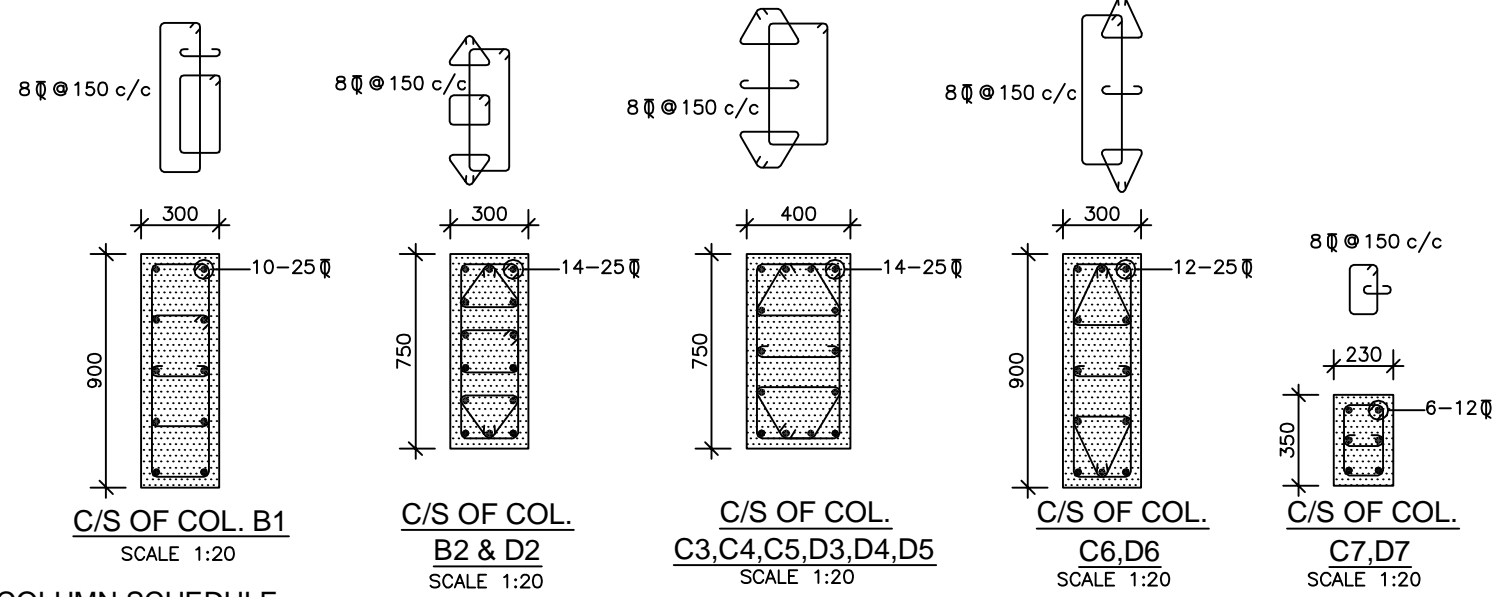
**DETAIL 'X'**  
SCALE:-1:10



**ABOVE PLINTH LIFT WALL PLAN**  
SCALE:-1:50



**BELOW PLINTH LIFT WALL PLAN**  
SCALE:-1:50



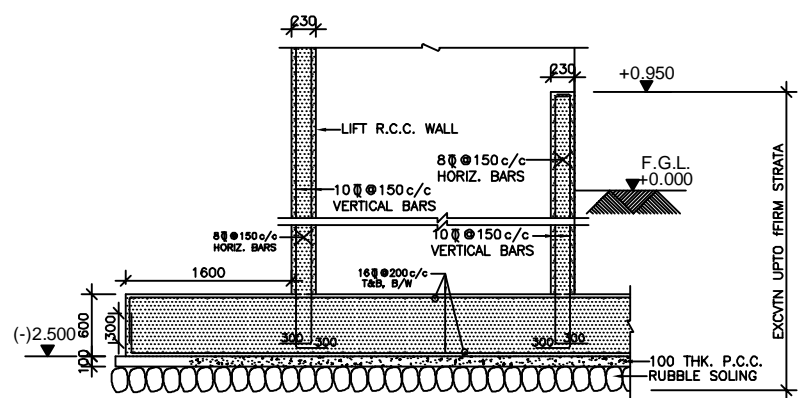
**COLUMN SCHEDULE :**

COLUMN TYPE	B1	B2,D2	C3,C4,C5, D3,D4,D5	C6,D6	C7,D7
LINKS IN RCC COL.	8 $\phi$ @ 150 c/c	8 $\phi$ @ 150 c/c	8 $\phi$ @ 150 c/c	8 $\phi$ @ 150 c/c	8 $\phi$ @ 150 c/c
FROM TERRACE FLR LVL SLAB ABOVE	300x600 8-16T	300x600 8-16T	300x500 8-12T	300x600 8-16T	-
FROM FOURTH FLR LVL SLAB UP TO TERRACE FLR LVL SLAB	300x700 4-25T + 4-20T	300x650 10-20T	350x650 10-20T	300x700 4-25T + 4-20T	-
FROM SECOND FLR LVL SLAB UP TO FOURTH FLR LVL SLAB	300x800 8-25T	300x750 10-25T + 4-20T	350x750 12-25T	300x800 10-25T	-
FROM RAFT UPTO SECOND FLR LVL SLAB	300x900 10-25T	300x750 14-25T	400x750 14-25T	300x900 12-25T	230x350 6-12T

**NOTE :** THE EARLIER DRG. STR-01&02 ARE COMPLETELY SUPERCEDED BY THIS DRG. DUE TO CHANGE IN FOUNDATION SYSTEM TO SUIT SITE CONDITION.

- GENERAL NOTES :**
- ALL DIMENSIONS ARE IN MILLIMETER & ALL LEVELS ARE IN METER UNLESS NOTED OTHERWISE.
  - DIMENSIONS SHALL NOT BE SCALED OFF FROM THE DRAWING.
  - THE WORKS SHALL BE GENERALLY IN ACCORDANCE WITH I.S.456-2000, I.S.1893,I.S.13920-1993 AND OTHER RELEVANT CODES.
  - THIS DRAWING SHALL BE READ ALONG WITH THE RELEVANT ARCHITECTURAL, STRUCTURAL & SERVICE DRAWINGS.
  - IN CASE OF ANY DISCREPANCY IN THE RELEVANT DRAWINGS, INSTRUCTIONS SHALL BE OBTAINED FROM THE ARCHITECT/STRUCTURAL ENGR BEFORE EXECUTION.
  - DETAILS SHOWN IN THE DRAWING ARE SUBJECT TO REVISION AT THE STAGE OF EXECUTION.

- SPECIAL NOTES FOR RCC WORK:**
- CONCRETE MIX TO BE M-30 FOR ALL RCC WORK BELOW PLINTH & M-30 FOR SUPERSTRUCTURE
  - CLEAR COVER TO REINF. : FOR COLUMN 30 mm, WALL 20 mm
  - $\phi$  REPRESENTS TMT STEEL OF GRADE Fe500 D &  $\phi$  REPRESENTS MILD STEEL



**SECTION A-A**  
SCALE:-1:50

**ALL LEVELS MARKED IN THIS DRG. ARE RCC LEVELS UNLESS CLEARLY MENTIONED OTHERWISE.**

	CLIENT : M/S RELIANCE INFRASTRUCTURE LTD.	
	PROJECT : PROPOSED CONSTRUCTION OF RECEIVING STATION AT CTS NO.877 OF VILLAGE DAHISAR(W), TAL. BORIVALI,MUMBAI	
JOB NO. RIL/10STR/90	CONSULTING ENGINEER : SATISH PATANKAR & ASSOC. MULUND (E), MUMBAI-400081	
<b>LIFT PIT, SHAFT &amp; COLUMNS RCC SCHEDULE &amp; DETAIL</b>		
DRAWING NO. <b>STR-02</b>	DATE 25/12/2017	DRAWN BY K S
	SCALE 1:50,20,10	CHECKED BY SATISH PATANKAR (M.TECH.)