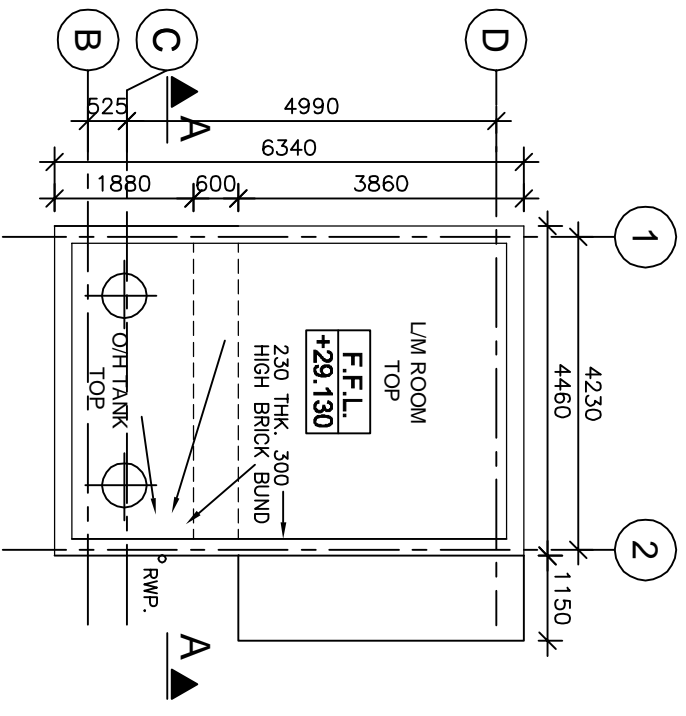
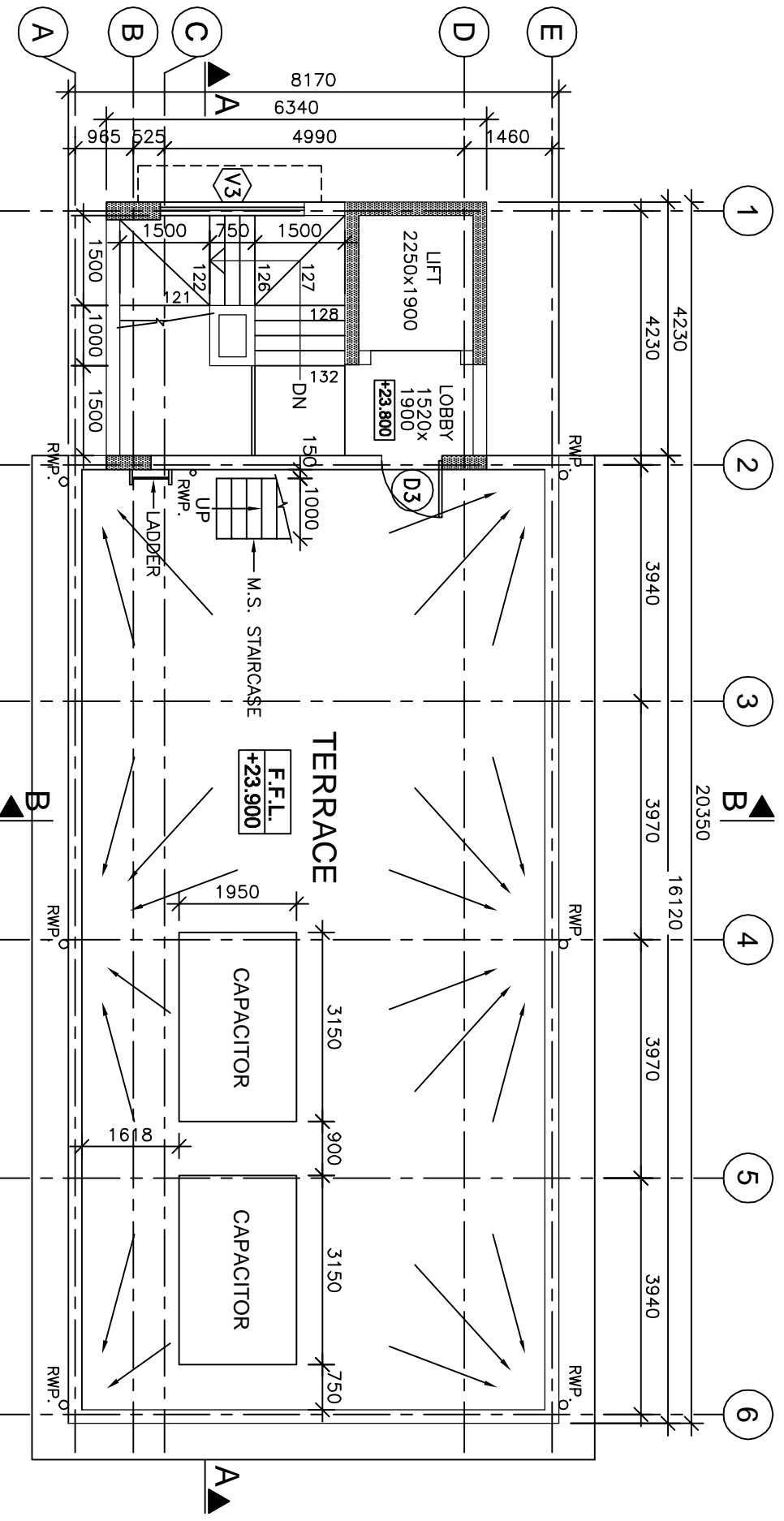


**L/M ROOM & O/H TANK BOTTOM PLAN**  
SCALE:-1:100



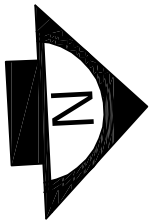
**L/M ROOM & O/H TANK TOP PLAN**  
SCALE:-1:100



**TERRACE FLOOR PLAN**  
SCALE:-1:100

**GENERAL NOTES :**

- 1) ALL DIMENSIONS ARE IN MILLIMETER & ALL LEVELS ARE IN METER UNLESS NOTED OTHERWISE.
- 2) DIMENSIONS SHALL NOT BE SCALED OFF FROM THE DRAWING.
- 3) THIS DRAWING SHALL BE READ ALONG WITH THE RELEVANT ARCHITECTURAL, STRUCTURAL & SERVICES DRAWINGS.
- 4) IN CASE OF ANY DISCREPANCY IN THE RELEVANT DRAWINGS, INSTRUCTIONS SHALL BE OBTAINED FROM THE ARCHITECT/STRUCTURAL ENGINEER BEFORE EXECUTION.
- 5) DETAILS SHOWN IN THE DRAWING ARE SUBJECT TO REVISION AT THE STAGE OF EXECUTION.



JOB NO. RIL/10STR/90		CLIENT : M/S RELIANCE INFRASTRUCTURE LTD.	
DRAWING NO. AR-01		PROJECT :	
DATE 15/09/2017		PROPOSED CONSTRUCTION OF RECEIVING STATION AT CTS NO.877 OF VILLAGE DAHSAR(W), TAL. BORIVALI,MUMBAI	
SCALE 1:100		CONSULTING ENGINEER : SATISH PATANKAR & ASSOC. MULUND (E), MUMBAI-400081	
DRAWN BY K S		FLOOR LAYOUTS AT VARIOUS LEVELS, SECTIONS ELEVATIONS & DOOR/WINDOW SCHEDULE	
CHECKED BY SSP		SATISH PATANKAR (M.TECH.)	
SHEET 2 OF 5			