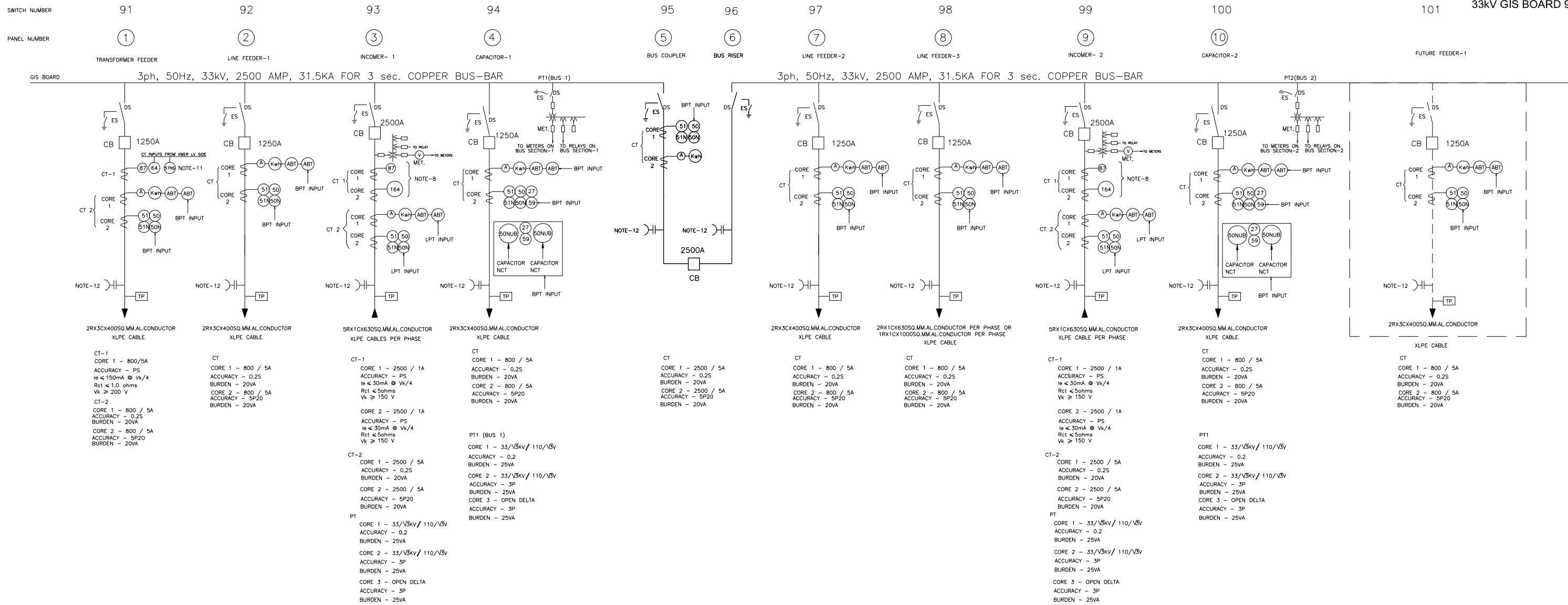


ANNEXURE 1A
33kV GIS BOARD 9 AT AAREY



- LEGEND :-
- (51) IDMT PHASE OVER CURRENT RELAY
 - (50) INSTANTANEOUS PHASE OVER CURRENT RELAY
 - (51N) IDMT EARTH FAULT RELAY
 - (50N) INSTANTANEOUS EARTH FAULT RELAY
 - (87) TRANSFORMER DIFFERENTIAL RELAY
 - (V) CAPACITIVE VOLTAGE INDICATOR
 - (TP) TEST PLUG
 - (164) RESTRICTED EARTH FAULT RELAY (33 kV SIDE OF TRANSFORMER)
 - (59) OVER VOLTAGE PROTECTION
 - (27) UNDER VOLTAGE PROTECTION
 - (50N/51N) NEUTRAL UNBALANCE PROTECTION
 - (A) AMMETER
 - (V) VOLT METER
 - (W) ENERGY METER
 - (ABT) ABT METER

NOTES:-

- ALL CB'S, DISCONNECTOR AND EARTHING SWITCHES SHALL BE MOTOR OPERATED.
- EACH FEEDER SHALL HAVE BAY CONTROLLER CUM PROTECTION IEDs AS PER TECHNICAL SPECIFICATION
- BAY IEDs SHALL BE SUITABLE FOR AUXILIARY SUPPLY OF 220 V DC.
- REVERSE BLOCKING SCHEME TO BE PROVIDED.
- COMMUNICATION PROTOCOL OF BAY IEDs SHALL BE IEC 61850. IT SHALL HAVE 2 NOS. OF FO PORT FOR SCADA COMMUNICATION
- 33KV BAY IEDs SHALL BE INTERFACED WITH EXISTING ABB MAKE SAS FOR CONTROL AND MONITORING.
- 33KV BAY IEDs SHALL BE CONNECTED TO THE ETHERNET BUS PROVIDED BY SAS VENDOR . BIDDER SHALL CONSIDER FO PATCHCORDS FORM IEDs TO ETHERNET SWITCHES PROVIDED BY SAS VENDOR. THESE SWITCHES WILL BE LOCATED NEAR 33KV SWITCHGEAR
- DIFFERENTIAL RELAY 87 AND REF RELAY 164 SHOWN ON INCOMER PANEL SHALL BE PART OF 220KV PROTECTION SCHEME AND NOT UNDER SCOPE OF THIS PACKAGE
- 1 kWh METER & 2 NOS. ABT METER TO BE SUPPLIED FOR ALL FEEDERS EXCEPT BUS COUPLER & CAPACITORS
- PT PRIMARY SHALL BE PROVIDED WITH DISCONNECTOR AND EARTHING FACILITY.
- TRANSFORMER DIFFERENTIAL RELAY SHALL ALSO BE SUITABLE FOR LV SIDE REF & SEF PROTECTION.
- CAPACITIVE VOLTAGE DETECTION FOR CABLE TO BE PROVIDED AT FRONT & REAR SIDE OF PANEL
- SWITCHGEAR SHALL BE EXTENDABLE AT BOTH ENDS
- DUMMY PLUG SUITABLE TO WITHSTAND RATED VOLTAGE SHALL BE SUPPLIED FOR ALL CABLE SOCKET, PT SOCKETS & TEST SOCKET
- LOCATION OF BOARD TO BE INSTALLED IS AT GROUND FLOOR

REV	BY	APPD	DESCRIPTION	DA	MO	YR
01						19
02						19
03						19
04						19
05						19
06						19
07						19
08						19
09						19
10						19

A3|TD-SLD-600-AAREY-1-R1|DES. CHK. AW|01|06|19|CSD FILE: TD-SLD-600-AAREY-1-R1

adani
Electricity

PROJECT: 33kV AIS TO GIS CONVERSION AT AAREY, VERSOVA & GHODBUNDER

TITLE: SLD OF 33kV GIS BOARD-9 AT 220KV AAREY EHV S/S

DWGTD-SLD-600-AAREY-1-R1|REV| R1